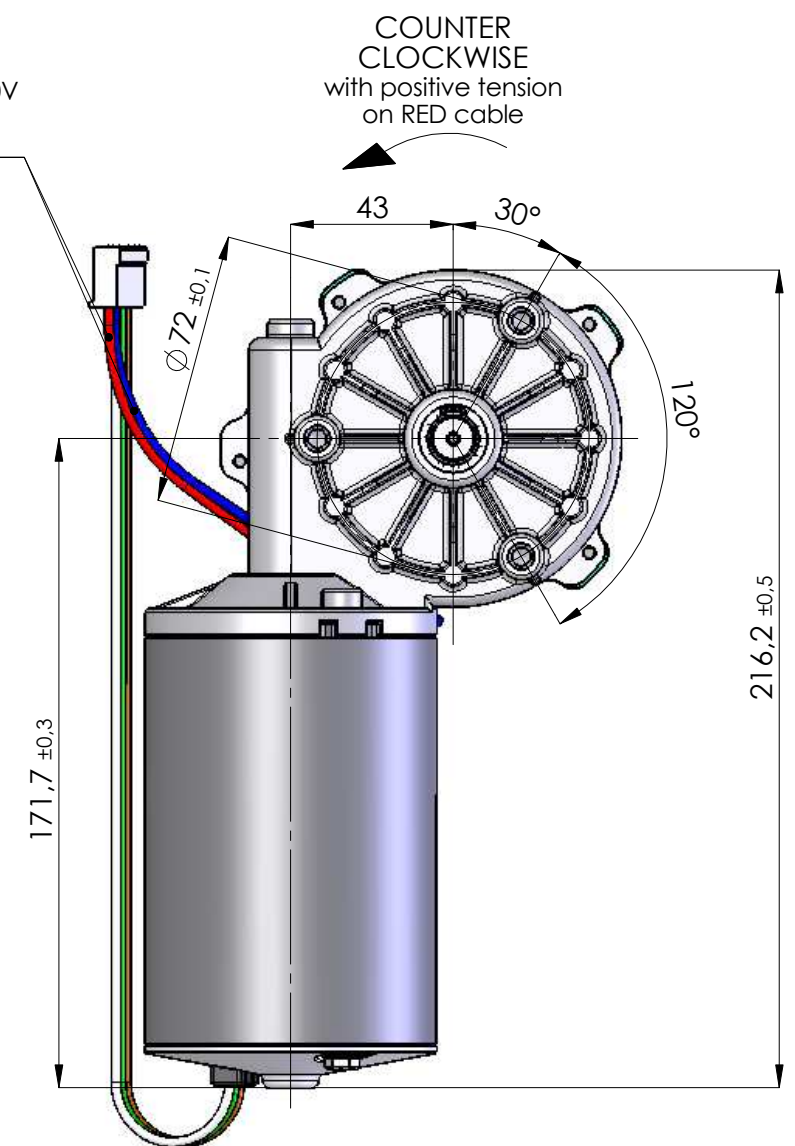
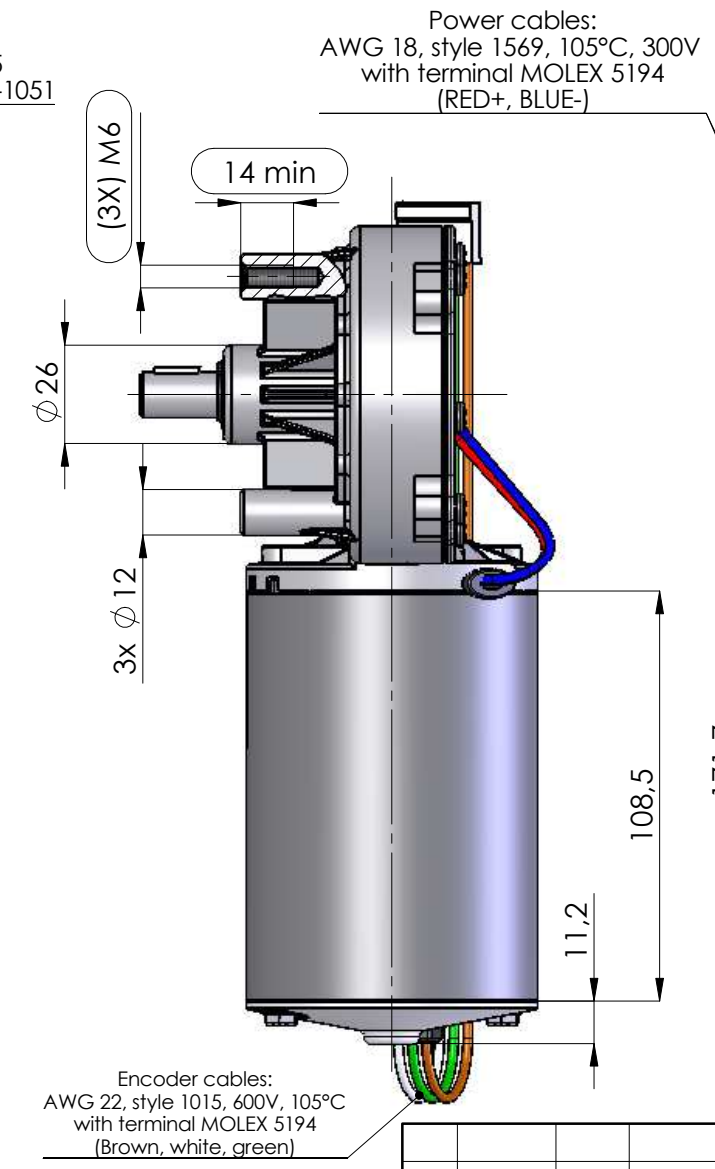
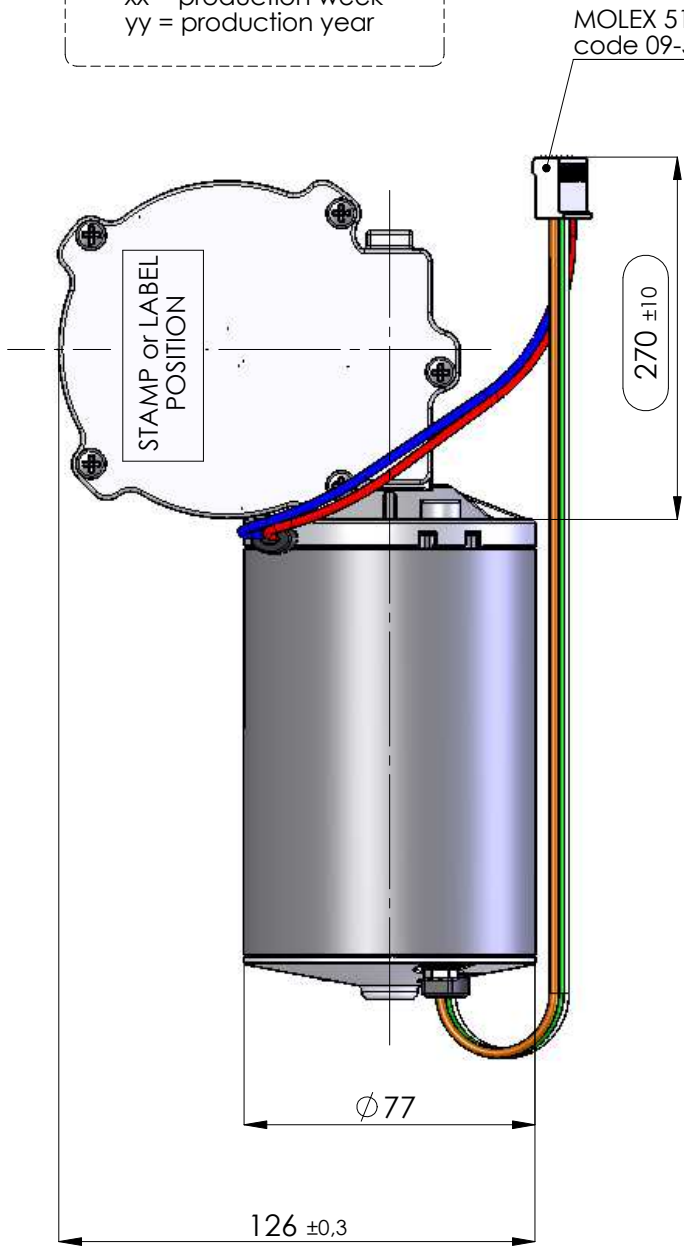
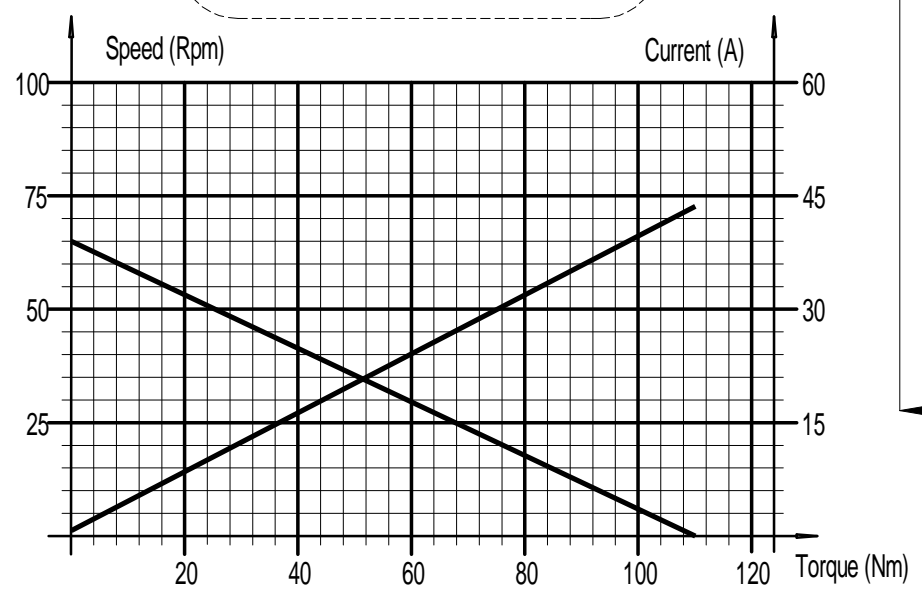


STAMP or LABEL

Code 103.730 FCE
24V Week xxyy

xx = production week
yy = production year



Encoder cables:
AWG 22, style 1015, 600V, 105°C
with terminal MOLEX 5194
(Brown, white, green)

R.d.M.	DATE	INDEX	MODIFICATION DESCRIPTION		
NOMINAL TENSION (V)		NO LOAD CURRENT (A)		SPEED (Rpm)	INSULATION CLASS : -
24		1.8 max.		65	PROTECTION CLASS : -
NOMINAL TORQUE (Nm)		STARTING TORQUE (Nm)		NOMINAL POWER (W)	WEIGHT: approx. 2.2 Kg
12.5		110		73	SCALE: 1:2
These are average values when the motor is cold. Divergences of ±10% are possible in the series					
PROJ. :	2305	DATE :	16.06.2015	DRAWER :	Vaccari
CHECK:		APPROV.:			